

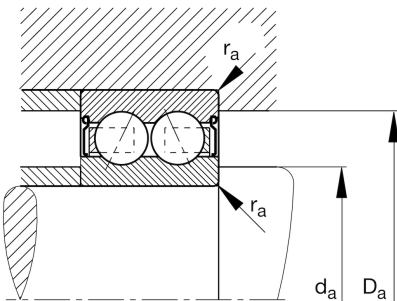
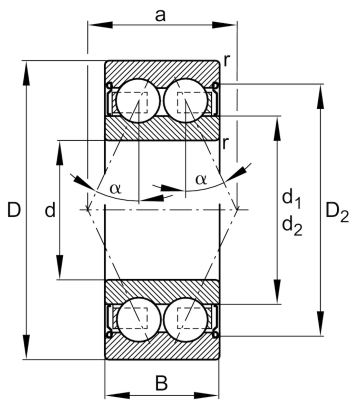
**FAG****30/6-B-2Z-TVH**

Angular contact ball bearing

Schaeffler ID:  
0717428910000

Angular contact ball bearing 30..-B-2Z-TVH, double row, shields, plastic cage

## Technical information

**Main Dimensions & Performance Data**

|          |              |                                   |
|----------|--------------|-----------------------------------|
| d        | 6 mm         | Bore diameter                     |
| D        | 17 mm        | Outside diameter                  |
| B        | 9 mm         | Width                             |
| $C_r$    | 3.050 N      | Basic dynamic load rating, radial |
| $C_{0r}$ | 1.400 N      | Basic static load rating, radial  |
| $C_{ur}$ | 74 N         | Fatigue load limit, radial        |
| $n_G$    | 31.500 1/min | Limiting speed                    |
| $n_{gr}$ | 32.000 1/min | Reference speed                   |
|          | 11 g         | Weight                            |

**Mounting dimensions**

|              |        |                                      |
|--------------|--------|--------------------------------------|
| $d_{a \min}$ | 8 mm   | Minimum diameter shaft shoulder      |
| $D_{a \max}$ | 15 mm  | Maximum diameter of housing shoulder |
| $r_{a \max}$ | 0,3 mm | Maximum fillet radius                |

**Dimensions**

|            |         |   |
|------------|---------|---|
| $r_{\min}$ | 0,3 mm  | Minimum chamfer dimension                         |
| $D_2$      | 14,8 mm | Caliber diameter outer ring                       |
| $d_2$      | 8,3 mm  | Caliber diameter inner ring                       |
| a          | 8,8 mm  | Distance between the apexes of the pressure cones |
| $\alpha$   | 25 °    | Contact angle                                     |

**Temperature range**

|            |        |                            |
|------------|--------|----------------------------|
| $T_{\min}$ | -20 °C | Operating temperature min. |
| $T_{\max}$ | 120 °C | Operating temperature max. |